



## Steinfurth PC-Line: Automatic Stress Crack Tester (PET)



The Stress Crack Tester has been designed for automatic stress crack tests on PET bottles.

The instrument is available as CR-6006 for 6 samples or the CR-6012 for 12 samples version (other versions on request).

The samples are filled with water, pressurized with compressed air and according to the test stress crack procedure immersed into a solution of sodium hydroxide. By monitoring the time until the bottle cracks the stress crack resistance of the bottle material can be evaluated.

The CR-6006 can be operated with up to six test heads for bottle samples – all together simultaneously, or each test head individually.

The test chamber of each test head is designed as independent circle, means that tests with various concentrations in solution, and in case of a damage on any sample a chemical contamination of the other test circles is assured.

Each instrument is equipped with a manual pressure regulator working at pressures between 1 up till 80 psi (0 till 5.5 bars).

### **Benefits:**

- Measurement of the the internal pressure of each sample individually (and compensation of the pressure each 30 seconds)
- Individual pressure transducer at each test station - for the individual evaluation of each sample.
- Independent continuous test process for all samples (even after some samples fail)

### **Steinfurth Mess-Systeme GmbH**

Elektromechanische Mess-Systeme  
Bonifaciusring 15  
45309 Essen  
Deutschland

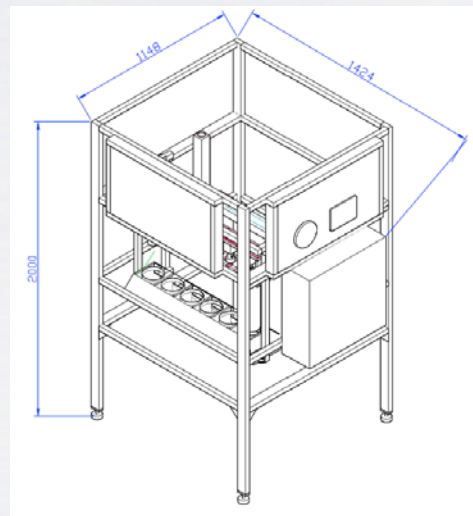
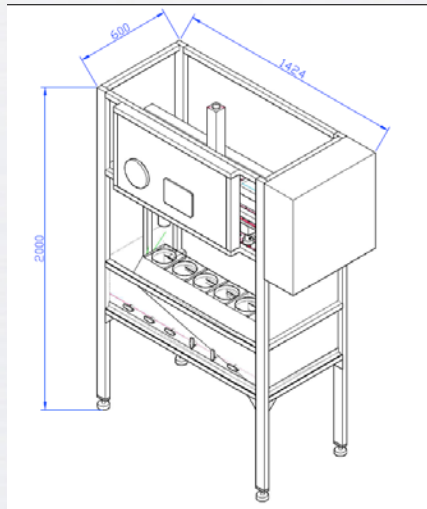
Telefon +49-201-85517-0  
Telefax +49-201-85517-20  
Internet: <http://www.steinfurth.de>  
E-Mail: [info@steinfurth.de](mailto:info@steinfurth.de)

### **Steinfurth, Inc.**

Electromechanical Measuring Systems  
11390 Old Roswell Rd.  
Ste. 126  
Alpharetta, GA 30009  
USA

Phone +1-678-500-9014 & +1-404-918-5061  
Telefax +1-678-840-7744  
Internet: <http://www.steinfurth.com>  
E-Mail: [info@steinfurth.com](mailto:info@steinfurth.com)





**Technical Data**

6006	6012
Supply Voltage	230 V AC / 50 Hz or 115 V AC, 60 Hz
Pressure Air Supply	100 PSI ( 6.9 bar)
Pressure Water Supply	20 / 40psi ( 1.38 / 2.41 bar)
Maximum Test Pressure	80 PSI (5.50 bar)
Resolution Pressure	1 PSI (0.0689 bar)
Maximal test time	9999 s
Maximum Diameter of the sample	Ø 7.08 in / Ø 180 mm
Maximum Height of the sample	15.35 in / 390 mm
PC Interface	Serial RS-232C
Weight	Approx. 220 lb / 110 kg
Dimensions	78.34x28.50x56.85 in / 1980x724x1450mm
Water Connection	¼" NPT
Air Connection	¼" NPT
Drain Connection	1 ¼" tube
Operation/Visualization	via LCD Touchscreen 7"

**Steinfurth Mess-Systeme GmbH**

Elektromechanische Mess-Systeme  
Bonifaciusring 15  
45309 Essen  
Deutschland

Telefon +49-201-85517-0  
Telefax +49-201-85517-20  
Internet: <http://www.steinfurth.de>  
E-Mail: [info@steinfurth.de](mailto:info@steinfurth.de)

**Steinfurth, Inc.**

Electromechanical Measuring Systems  
11390 Old Roswell Rd.  
Ste. 126  
Alpharetta, GA 30009  
USA

Phone +1-678-500-9014 & +1-404-918-5061  
Telefax +1-678-840-7744  
Internet: <http://www.steinfurth.com>  
E-Mail: [info@steinfurth.com](mailto:info@steinfurth.com)

